

MOUNTING DIMENSIONS

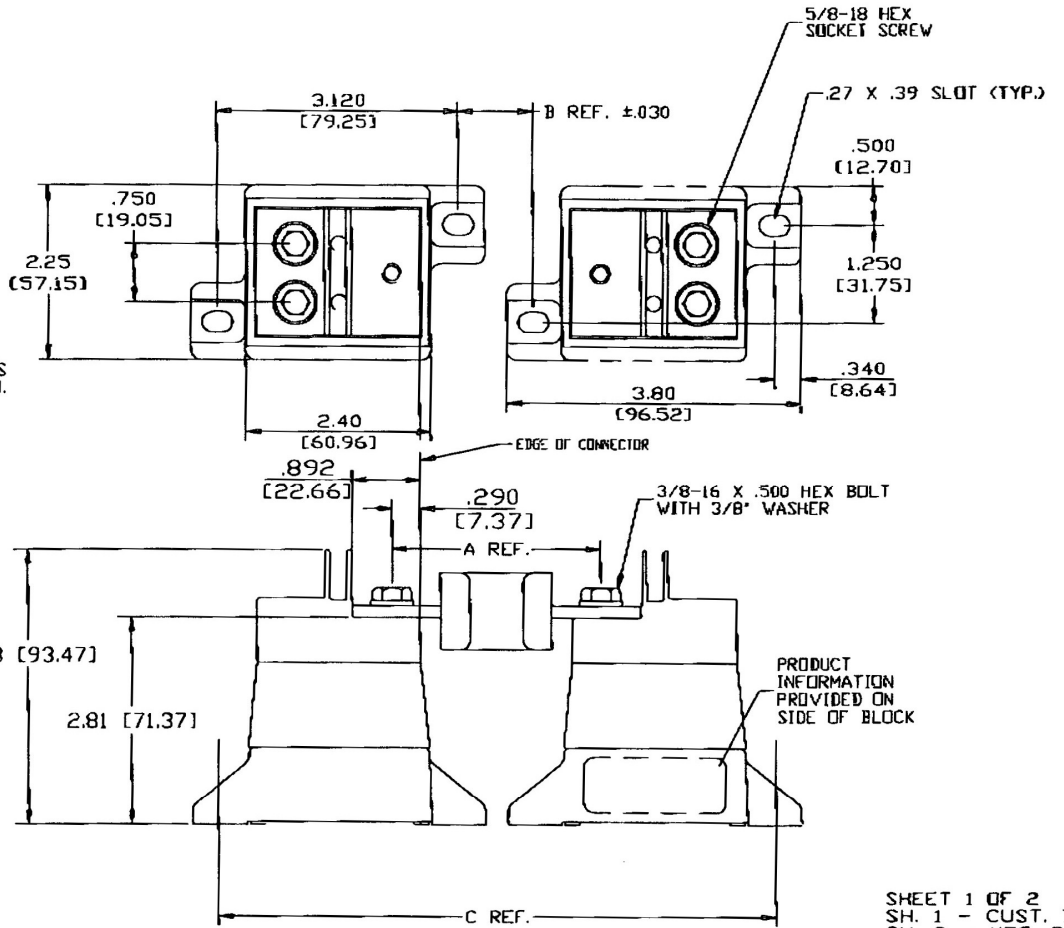
FUSE	A REF.	B REF.	C ±.03
FBP 125-200	3.06	1.47	7.72
*FBP 250-400	4.03	2.44	8.70
L50S 201-400	3.28	1.69	7.94
L70S 101-200	4.03	2.44	8.69
*L70S 201-400	4.03	2.44	8.69
*L25S 201-700	2.78	1.19	7.44
JLLN 225-400	1.84	0.25	6.50
JLLS 225-400	2.72	1.13	7.38
KLC 101-200	4.35	2.76	9.01
L25S 61-200	2.78	1.19	7.44
L60S 225-400	4.06	2.47	8.73
L50S 225-400	3.38	1.69	7.94

*WHEN USED IN MULTIPLE POLE CONFIGURATIONS, 0.75" SHOULD BE MAINTAINED BETWEEN ADJACENT BLOCK BASES WHEN MOUNTING THE FUSES FBP-250 TO 400 AND L70S-201 TO 400.

**CURRENT RATING FOR 1MSC109 IS 400 AMPS.

400A SEMI CONDUCTOR FUSEHOLDERS

- NOTES:
 1) MOLDING = GP PHENOLIC TEMPERATURE RATING 150°C
 2) TERMINATION = 250 MCM-6 CU AL RATING = 75°C WIRE TORQUE = 275 IN. LBS. MATERIAL = BOX - ALUMINUM - TIN PLATED
 3) RECOMMENDED WIRE (BASED ON 75°C WIRE) SEE LABEL
 4) TOLERANCES
 2 PLACE ±.030 INCH / ±.76 MM
 3 PLACE ±.015 INCH / ±.38 MM



SHEET 1 OF 2
 SH. 1 - CUST. DWG.
 SH. 2 - MFG. DWG.

		BOWLING GREEN OHIO	
DATE	BY	APP.	SERIES
			1MSC109
TITLE			UNIT DRAWN